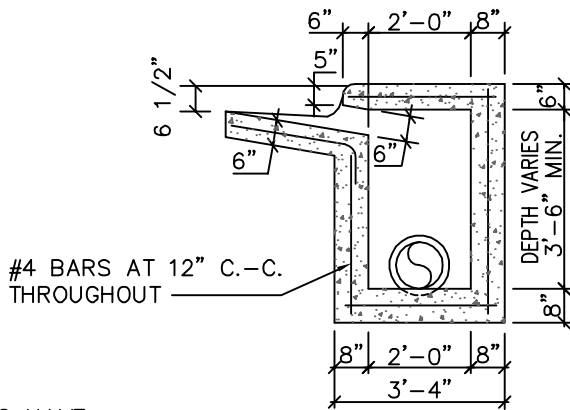


SECTION B-B



SECTION C-C

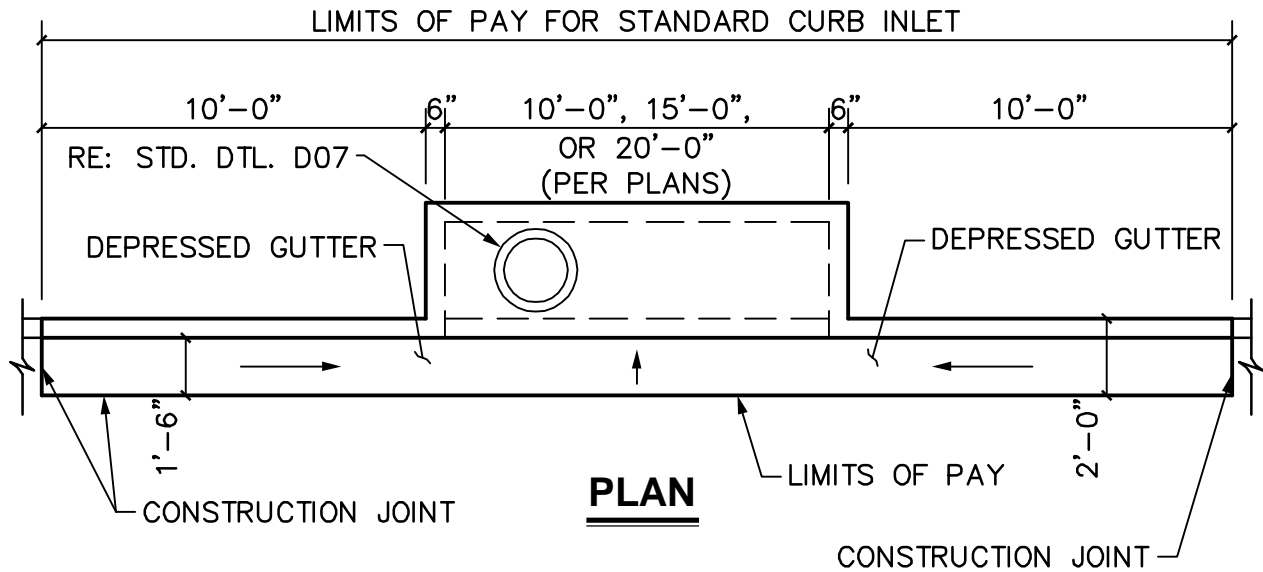
NOTE:

1. FLOOR OF INLET TO HAVE 6% GRADE UP FROM THE OUTLET PIPE INVERT.
2. MANHOLE COVER TO BE PLACED OVER OUTLET END OF INLET.



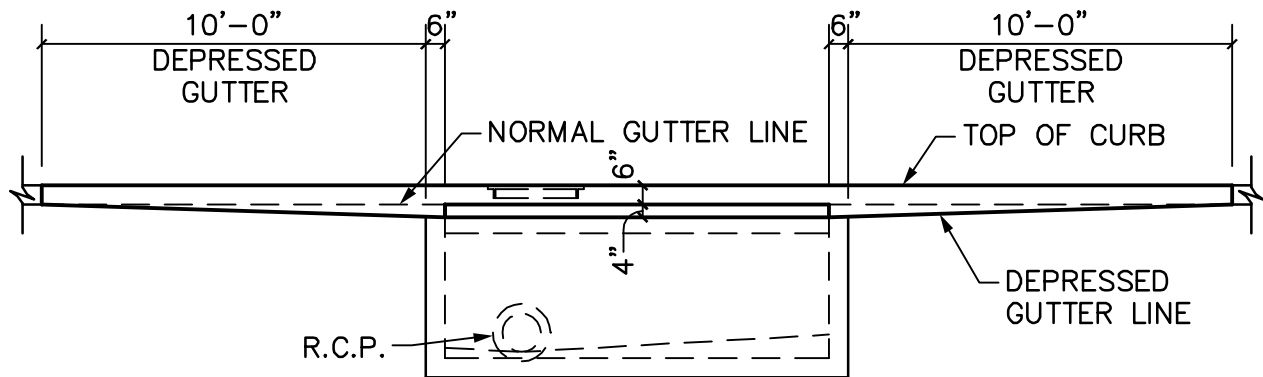
STANDARD CONSTRUCTION DETAIL
STANDARD STORM DRAIN CURB INLET

SCALE: N.T.S
REVISED: MAY 2013
SD1



NOTES:

1. TOP OF INLET TO SLOPE 2% TOWARDS STREET OR PER PLAN.
2. CENTER SUPPORT BEAM REQUIRED FOR 15' AND 20' STANDARD CURB INLETS.
3. ADDITIONAL REINFORCING STEEL TO BE PLACED AROUND MANHOLE OPENING.



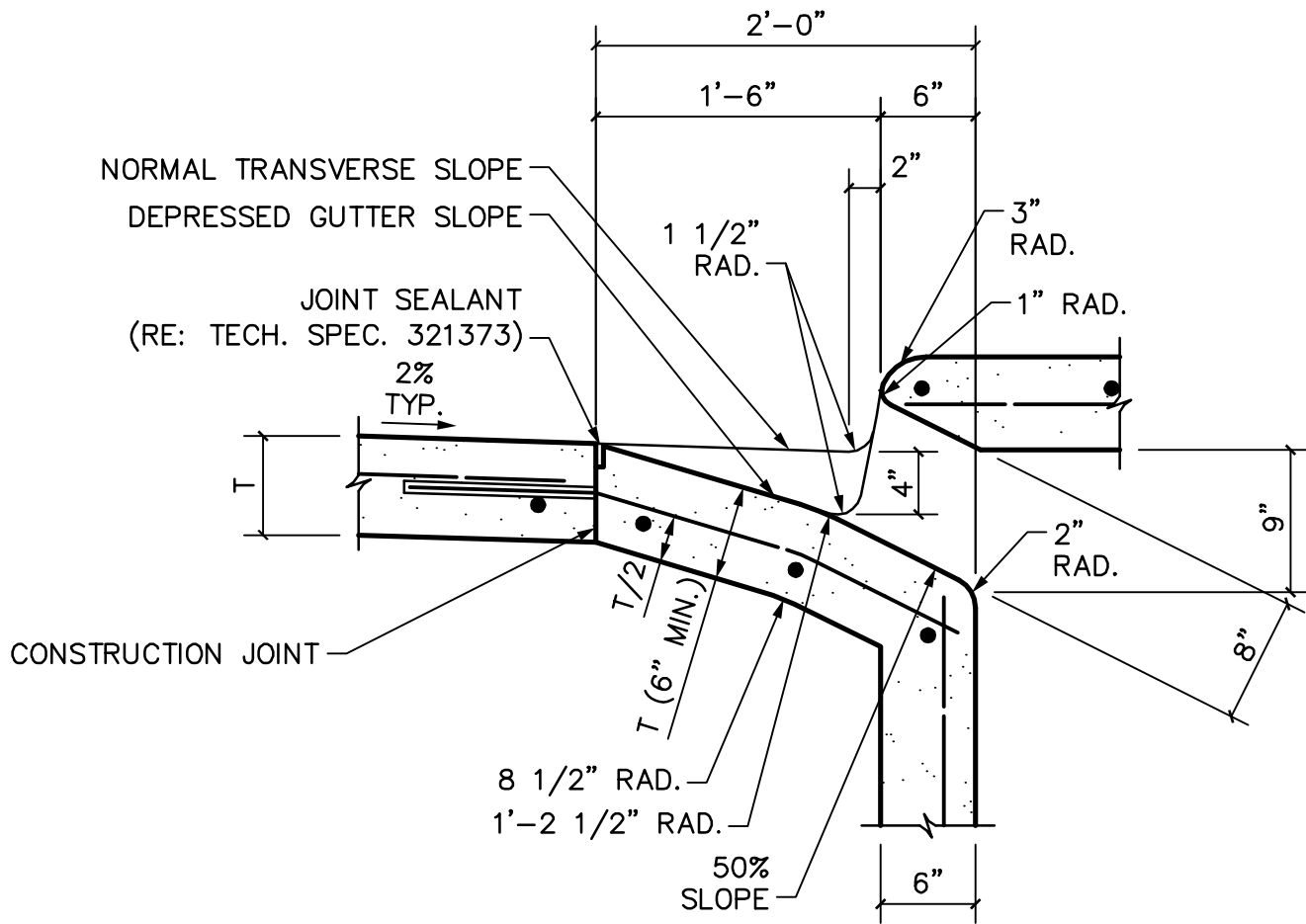
NOTE:

1. MANHOLE TO BE PLACED AT LOW END OF INLET. TWO MANHOLES ARE REQUIRED ON 15' AND 20' INLETS ONLY IF THE INSIDE HEIGHT OF THE INLET IS LESS THAN 4 FEET.



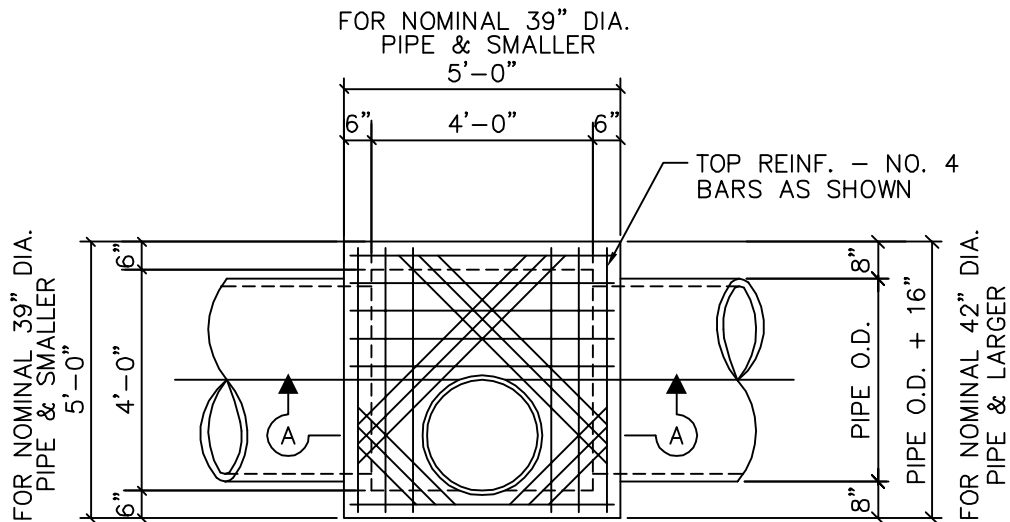
**STANDARD CONSTRUCTION DETAIL
STANDARD CURB INLET
SHEET 1 OF 2**

SCALE: 1"=5'
REVISED: MAR 2013
D02

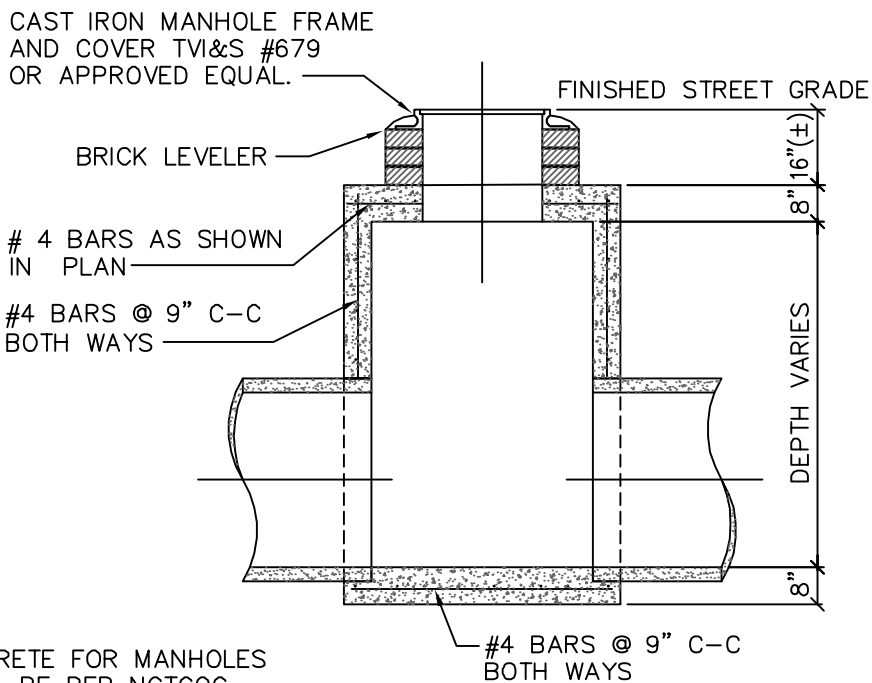


THROAT SECTION





PLAN VIEW



NOTE:
CONCRETE FOR MANHOLES SHALL BE PER NCTCOG STANDARD SPECIFICATIONS

SECTION A-A

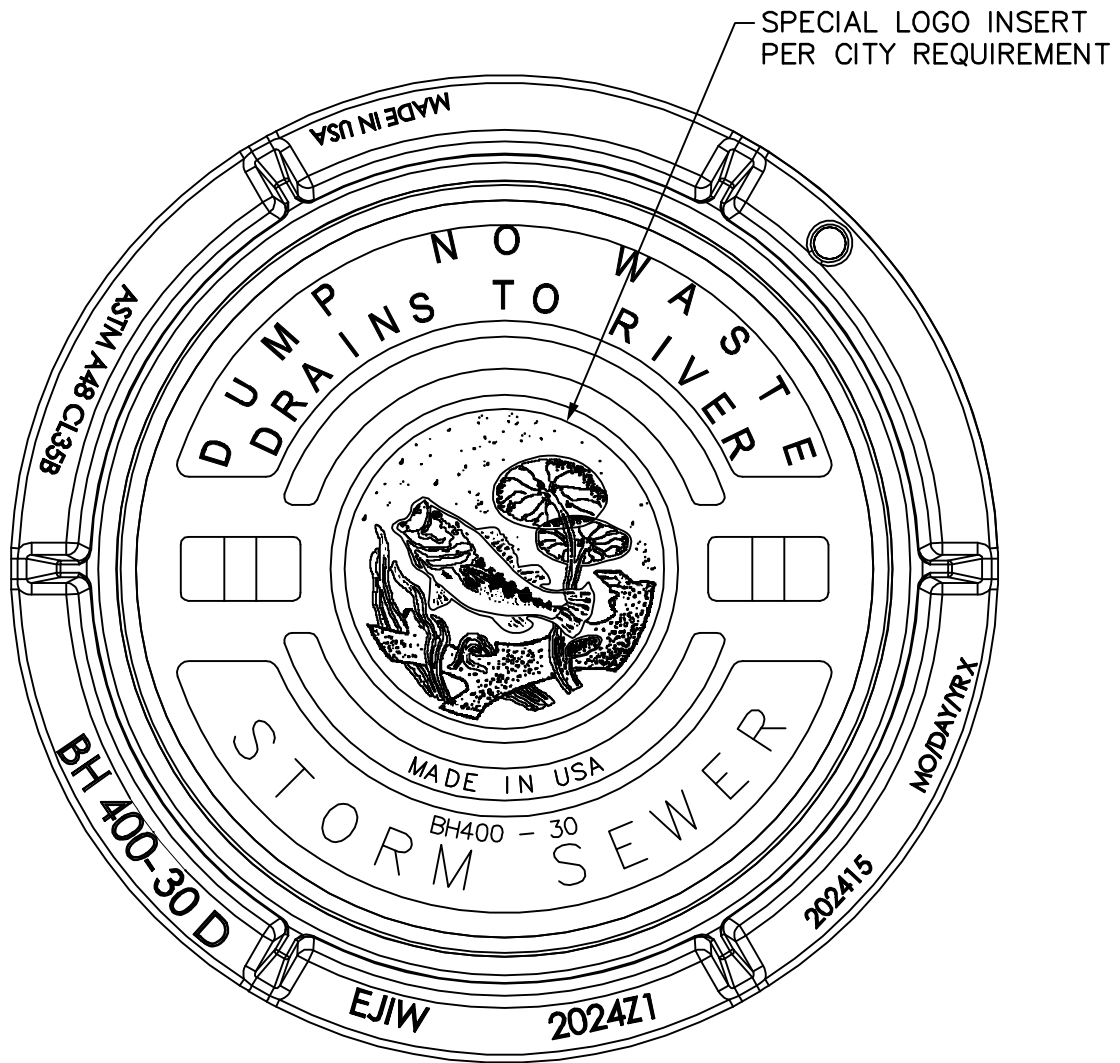


STANDARD CONSTRUCTION DETAIL
STANDARD SQUARE
STORM DRAIN MANHOLE

SCALE: NTS

REVISED: MAY 2013

SD3



STANDARD CONSTRUCTION DETAIL

INLET LID DETAIL

SCALE: 1"=1'-0"

REVISED: MAY 2013

SD4

